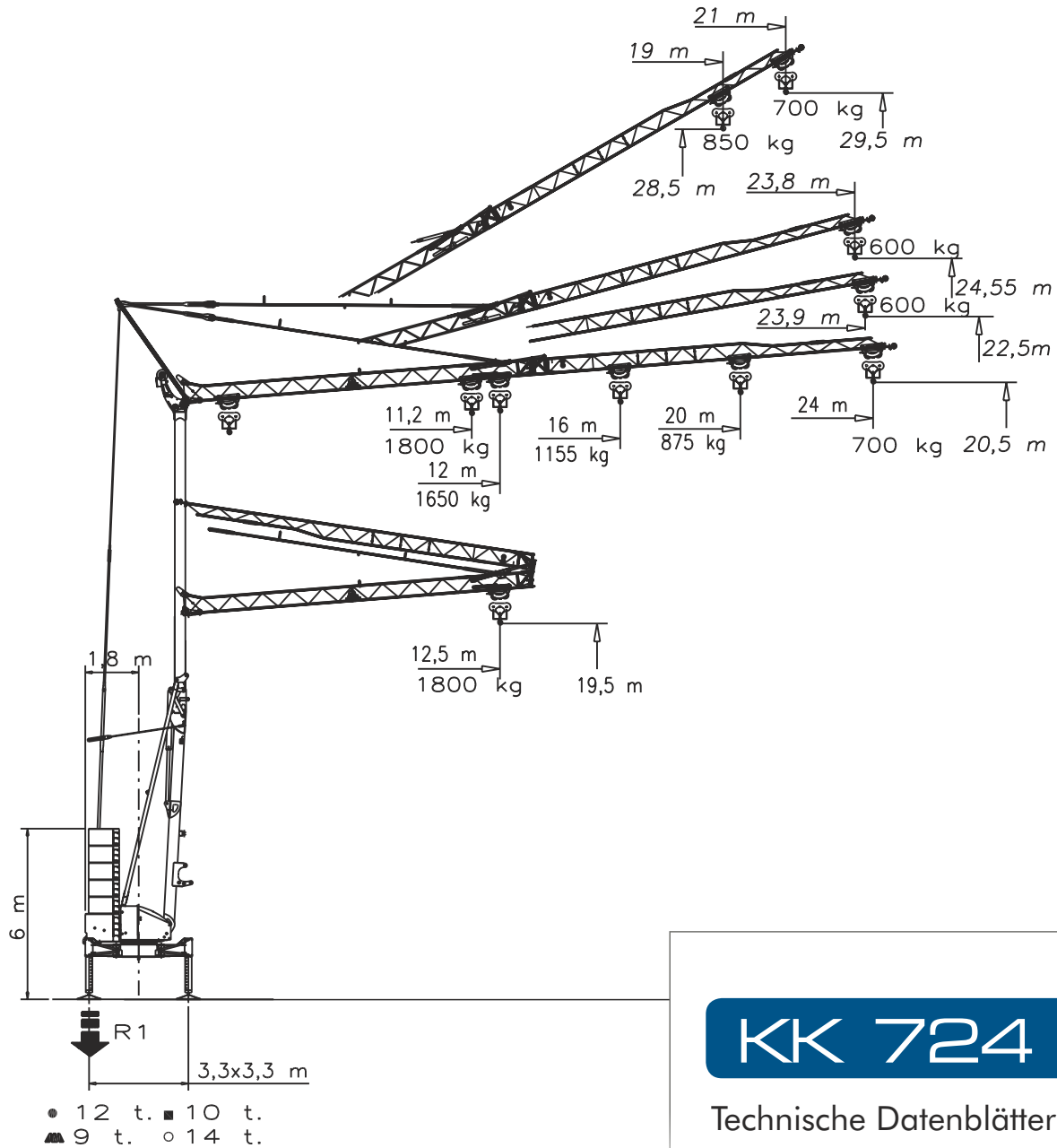


Tief laden - hoch aufbauen:

mit »KramerKran Verlegesysteme«

neue Idee - neue Lösung

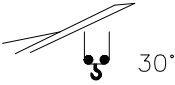
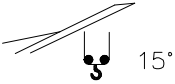

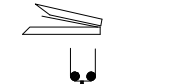


KK 724

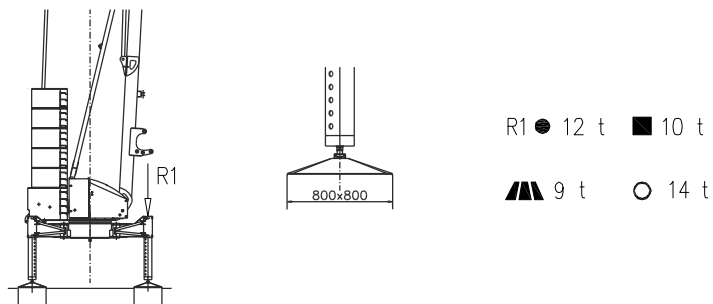
Technische Datenblätter

KK 724

Lastkurven | Courbes de charges | Load diagrams | Curve di carico | Curvas de cargas

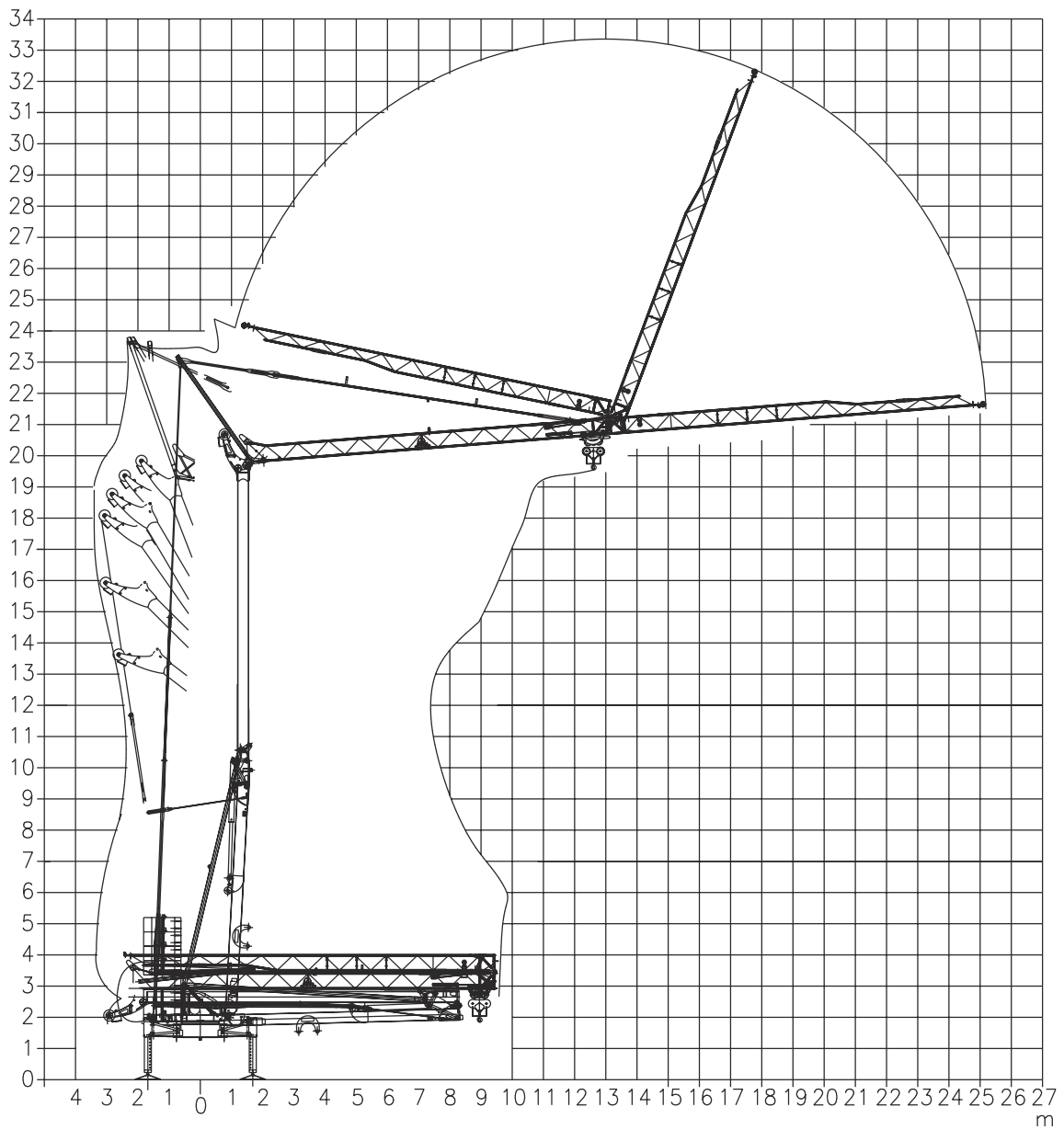
 30°	<table border="1"> <tr> <td>3</td> <td>19</td> <td>21</td> <td>m</td> </tr> <tr> <td>1800</td> <td>850</td> <td>700</td> <td>kg</td> </tr> </table>	3	19	21	m	1800	850	700	kg						
3	19	21	m												
1800	850	700	kg												
 15°	<table border="1"> <tr> <td>3</td> <td>22</td> <td>23,8</td> <td>m</td> </tr> <tr> <td>600</td> <td>600</td> <td>600</td> <td>kg</td> </tr> </table>	3	22	23,8	m	600	600	600	kg						
3	22	23,8	m												
600	600	600	kg												
	<table border="1"> <tr> <td>3</td> <td>11,2</td> <td>12</td> <td>16</td> <td>20</td> <td>24</td> <td>m</td> </tr> <tr> <td>1800</td> <td>1800</td> <td>1650</td> <td>1155</td> <td>875</td> <td>700</td> <td>kg</td> </tr> </table>	3	11,2	12	16	20	24	m	1800	1800	1650	1155	875	700	kg
3	11,2	12	16	20	24	m									
1800	1800	1650	1155	875	700	kg									
	<table border="1"> <tr> <td>3</td> <td>12,5</td> <td>m</td> </tr> <tr> <td>1800</td> <td>1800</td> <td>kg</td> </tr> </table>	3	12,5	m	1800	1800	kg								
3	12,5	m													
1800	1800	kg													

Eckdrücke | Reactions | Réactions | Reazioni | Reacciones | Reacções

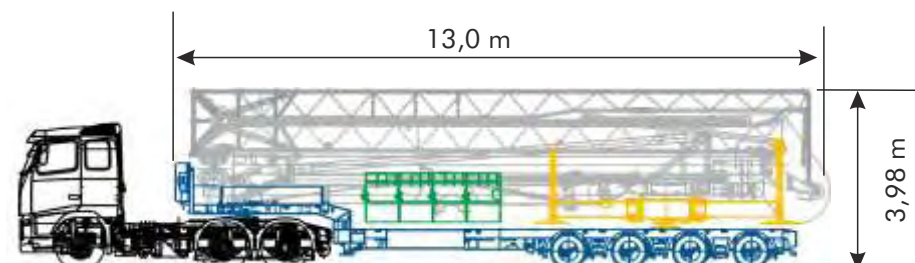


- Reaktionskräfte in Betrieb | Reazioni in servizio | Reactions in service | Réactions en service
Reacciones en servicio | Em serviço
- Reaktionskräfte außer Betrieb | Reazioni fuori servizio | Reactions out of service | Réactions hors service
Reacciones fuera de servicio | Fora de serviço
- ▲ Konstruktionsgewicht ohne Transportachse | Peso della gru senza assali | Dead weight without transport axles
Poids de construction sans eissieux | Peso de la grua sin tren de transporte | Peso de grua sem carro de transporte
- Ballastgewicht | Peso zavorra rotante | Ballast weight | Poids du lest
Peso de lastre | Peso de lastre rotativo

Montage | Montage | Erection | Montaggio | Montaje | Montagem



Transport | Transport | Transport | Trasporto | Transporte



KK 724

Antriebe | Mechanisms | Mécanismes | Meccanismi | Mecanismos

V7,5.30 230 Volt Sollevamento Hoisting Levage Heben Elevaciòn Elevaçao					 	V7,5.30 5.5 kW (7.5 Hp) 2-11 kVA
	m/min	4	11	25		
	t	1.8	1.8	0.7		
		4	16	30		
		1.8	1.8	0.7		

V7,5.30 400 Volt Sollevamento Hoisting Levage Heben Elevaciòn Elevaçao					 	V7,5.30 5.5 kW (7.5 Hp) 11 kVA
	m/min	4	11	30		
	t	1.8	1.8	0.7		
		4	16	30		
		1.8	1.8	0.7		

Carrello Trolleying Distribuciòn Katzfahren Distribuiçao			2a	0 → 30	m/min	2.2 kW (Hp 3)
			1a			
Rotazione Slewing Orientaciòn Schwenken Rotaçao			1a	0 → 0.8	giri/min tr/min rp/min	2.2 kW (Hp 3)
			2a			
			3a			

Rete elettrica | Réseau | Mains supply | Netzstrom | Red | Rede electrica **230/400 V - 50 Hz**

Potenza elettrica necessaria | Puissance électrique nécessaire | Necessary electric power
Anschlusswert | Potencia electrica necesaria **1/3PH 2-11 kVA**

FEM 1.001-A3 2000/14/CE

KramerKran
 Reutebuck 1
 79843 Löffingen

Telefon 07654 - 7 74 27
 Telefax 07654 - 7 74 28

info@kramerkran.de
 www.kramerkran.de



Documento commerciale non contrattuale
 Per tutte le informazioni tecniche riferirsi
 alle corrispondenti istruzioni

Unverbindliches Vertriebsdokument.
 Für technische Informationen, siehe die
 entsprechenden Anweisungen.

This commercial document is not legally
 binding. For any technical information, please
 refer to the corresponding instructions.

Documento commercial non contractual
 Para cualquier información técnica,
 ver la noticia correspondiente.